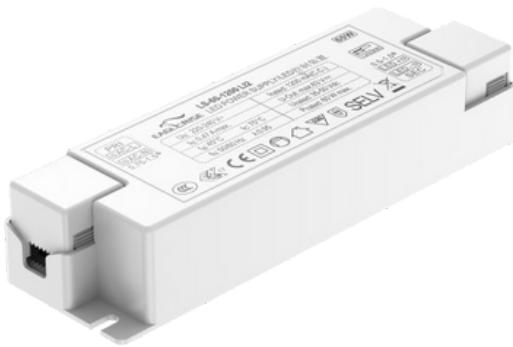


60W Constant Current power supply



Features

Class II, SELV, independent

Input Voltage 220-240VAC

Protections: SCP/OLP/OVP

Power Factor : ≥ 0.95 @Full load

,230V Efficiency : $\geq 89\%$ @Full load

,230V

5 years warranty

Applications

LED panel, LED down light

LED spot light

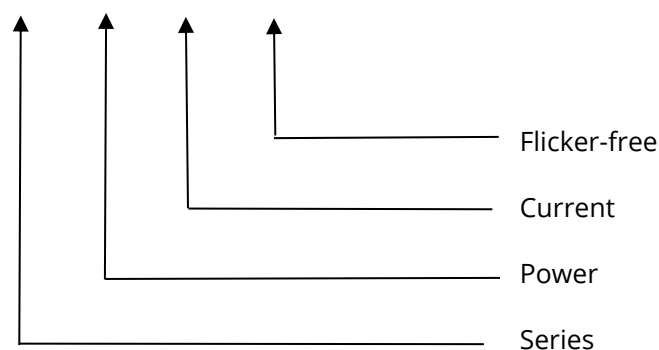


Description

LS-60-XXXX LI2 is a 60W constant current LED driver with 600 to 1500mA output current. With its compact dimensions from 150 x 45 x 30mm it is easy to integrate in LED Panel, spot, down lights. To ensure trouble-free operation, protection is provided against output short circuit and over Load.

Model code

LS-60-XXX LI2



Specification

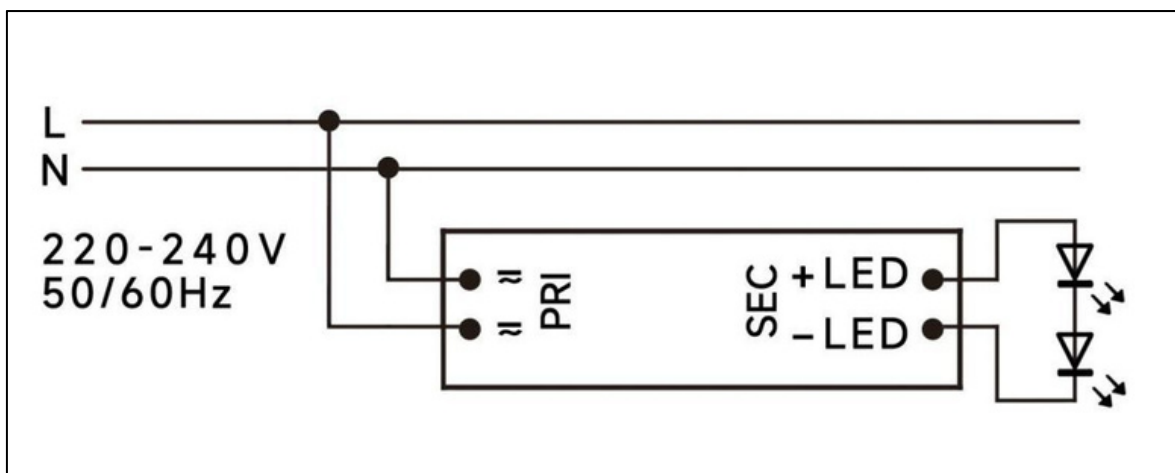
Output	Constant Current	600mA	650mA	700mA	...	1050mA
	Voltage Range	70-100VDC	63-92VDC	60-86VDC	...	28-41VDC
	Unload voltage Max.	118VDC	110VDC	106VDC	...	55VDC
	Current Accuracy	±5%				
	Output HF current ripple(≥1KHz)	±5%				
	Output LF current ripple(≤120Hz)	±5%				
	SVM	≤0.4				
	Pst	≤1				
	Efficiency(Typ.)	≥89%@Fullload,230V				
Input	Rated input voltage	220-240VAC				
	Range of input voltage	198-264VAC				
	Frequency(Hz)	50/60Hz				
	Displacement factor	≥0.9				
	Power Factor	≥0.95@Fullload,230V				
	Input Current max	0.47A				
	Start-up time	<0.5S				
	No Load Power	≤0.5W				
	THD(Typ.)	10%				
Protection	Over Load Protection	103-120% YES/Auto Resume				
	Over Voltage Protection	>118VDC	>110VDC	>106VDC	...	>55VDC
		YES/Auto Resume				
	Short circuit Protection	YES/AutoResume				
Environment	Operating Temperature	-20°C~+45°C				
	Humidity	20%-90%RH				
	Tc	75°C				
	Storage Temperature	-25°C~+60°C				
	Lifetime	>50,000h@TC=70°C				
Surface	Dimension	150X45X30(LXWXH)mm				
s tandards	EN61347-1; EN61347-2-13; EN62384; EN55015; EN61000-3-2; EN61000-3-3; EN61547					
Others	ErP	EU2019/2020				
	RoHS	RoHS(2011/65/EU) (EU)2015/863				
Note	<p>1.All parameters NOT specially mentioned are measured at 230VAC input , full load and 25°C of ambient temperature.</p> <p>2.Ripple & Noise are measured at 20MHz of bandwidth by using a 300mm twisted pair-wire terminated with a 0.1uF & 47 uF parallel capacitor.</p>					

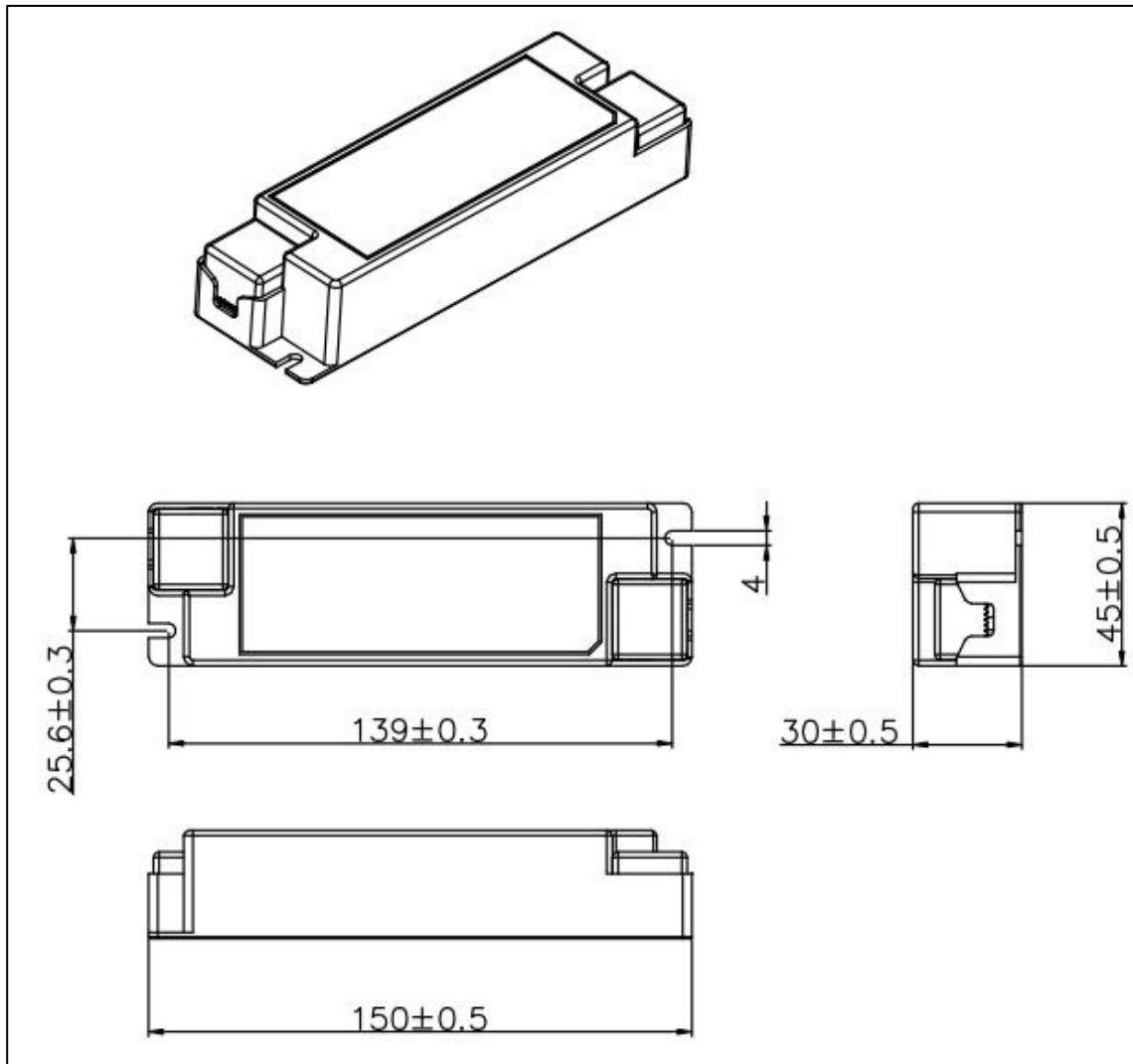
Parameter

Number	Model number	Output			
		Current (mA)	Voltage (VDC)	Voltage No load (VDC)	Power (W)
1	LS-60-600 LI2	600	70-100	118	60
2	LS-60-650 LI2	650	63-92	110	59.8
3	LS-60-700 LI2	700	60-86	106	60.2
4	LS-60-750 LI2	750	56-80	100	60
5	LS-60-800 LI2	800	52-75	95	60
6	LS-60-850 LI2	850	48-70	90	59.5
7	LS-60-900 LI2	900	45-67	85	60.3
8	LS-60-950 LI2	950	42-63	80	59.9
9	LS-60-1000 LI2	1000	40-60	75	60
10	LS-60-1050 LI2	1050	40-58	75	60.9
11	LS-60-1100 LI2	1100	38-55	70	60.5
12	LS-60-1150 LI2	1150	35-52	65	59.8
13	LS-60-1200 LI2	1200	35-50	63	60
14	LS-60-1250 LI2	1250	32-48	60	60
15	LS-60-1300 LI2	1300	32-46	60	59.8
16	LS-60-1350 LI2	1350	30-45	58	60.8
17	LS-60-1400 LI2	1400	28-42	55	58.8
18	LS-60-1450 LI2	1450	28-42	55	60.9
*1	LS-60-1500 LI2	1500	28-41	55	61.5

9

Wiring diagram

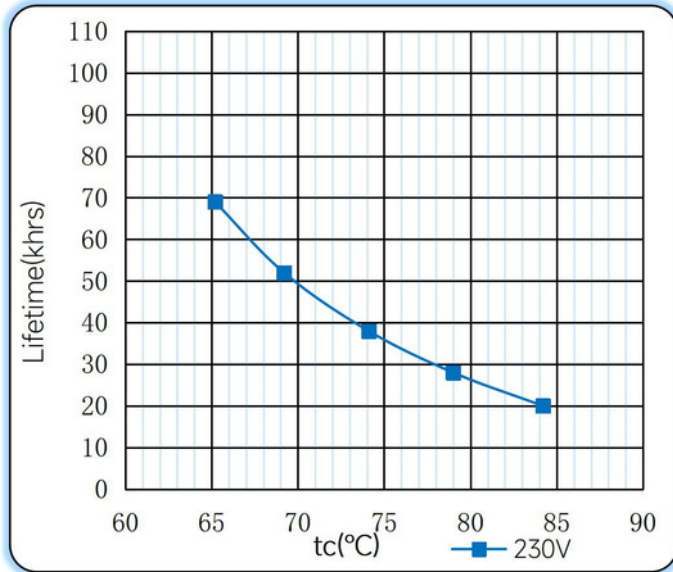


2D diagram

Wiring & Connections

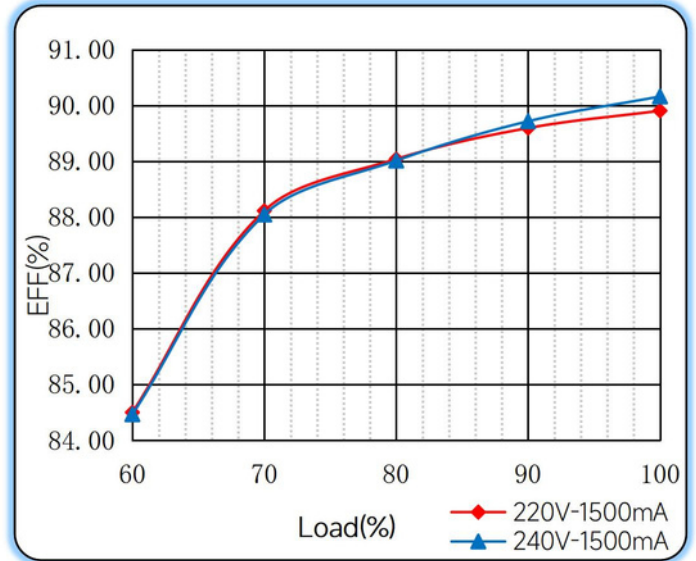
	Specification item	Value (Unit)
Input	Input wire cross-section	0.5...1.5 mm ²
	Input wire gauge.	16...20 AWG
	Input wire strip length	7...9mm
Output	Output wire cross-section	0.5...1.5 mm ²
	Output wire gauge.	16...20 AWG
	Output wire strip length	7...9mm

Curve for LS-60-1500 LI2, I_o=1500mA

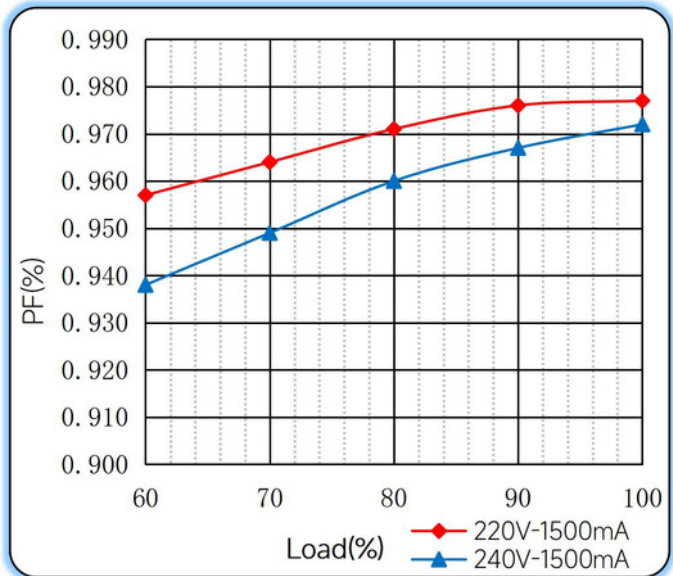
Lifetime vs. Temperature Curve



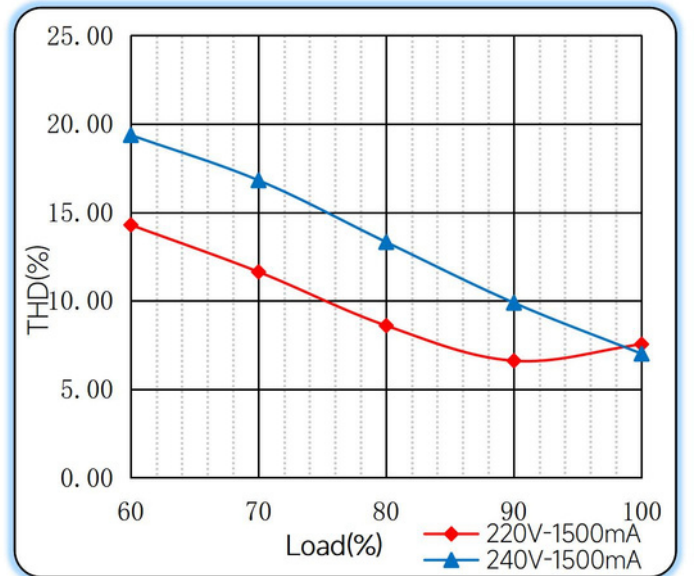
Efficiency vs. Load



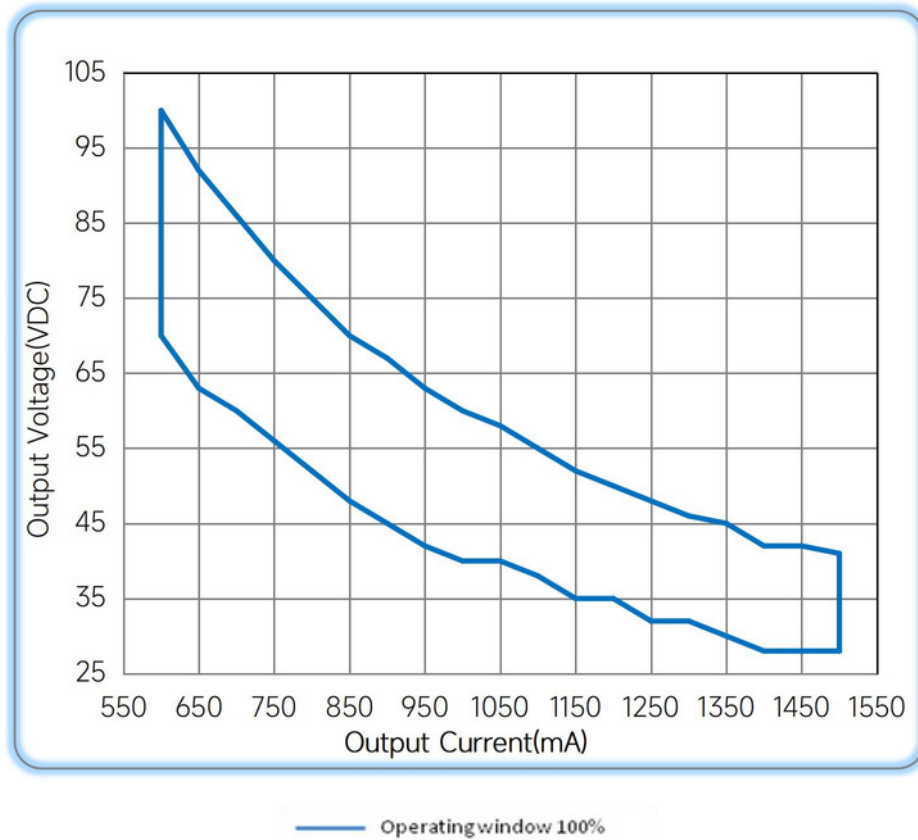
Power Factor Characteristics



THD vs. Load



Operating window



Revision Updates

ITEM	BEFORE	AFTER	VERSION	DATE
Initial			A	2022/05/15